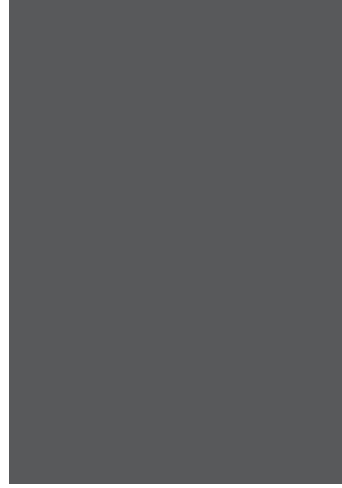
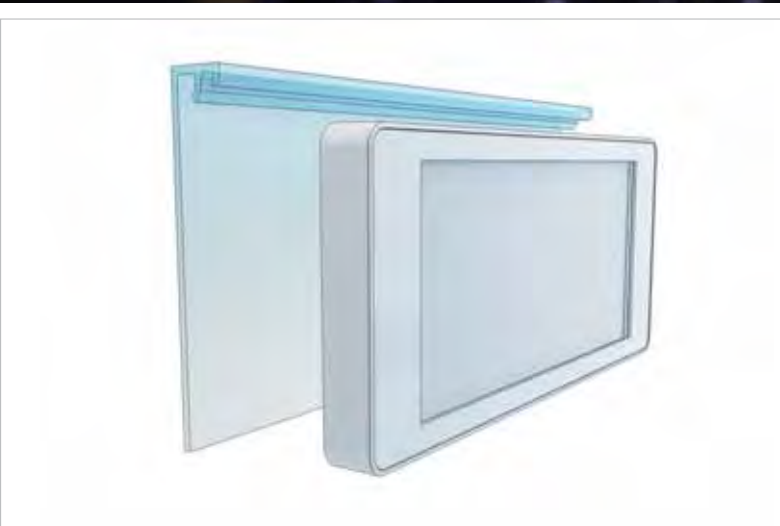


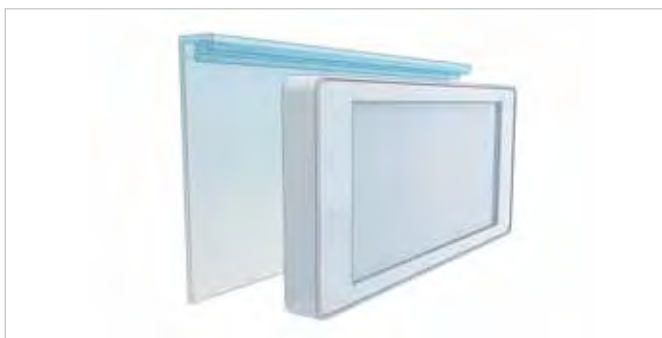


Retail Solutions Pro  
info@retailsolutionspro.com  
www.retailsolutionspro.com  
Toll Free: 1.800.826.0912









**EPOS Rail "Universal"**

With adhesive tape, without hinge, available in different colours and for various label sizes from 1.5" to 7.4"

**28.0155.**



**EPOS Rail "Universal" with hinge** To adhere, with hinge, available in different colours and for various label sizes from 1.5" to 7.4"

**28.0193.**



**EPOS Rail "Tego"**

For Tegometal shelves, without hinge, available in different colours and for various label sizes from 1.5" to 7.4"

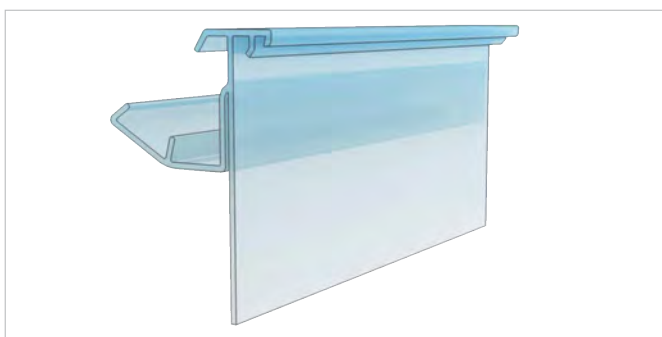
**28.0164.**



**EPOS Rail with hinge**

For Tegometal shelves, with hinge, available in different colours and for various label sizes from 1.5" to 7.4"

**28.0192.**



**EPOS Rail "TLS"**

For Linde, Storebest, Tego and Adams shelves, without hinge, available in different colours and for various label sizes from 1.5" to 7.4"

**28.0167.**



**EPOS Rail "TLS" with hinge**

For Linde, Storebest, Tego and Adams shelving, with hinge, available in different colours and for various label sizes from 1.5" to 7.4"

**28.0191.**



### EPOS Rail "TLS / LED"

For Linde, Storebest, Tego and Adams shelving, without hinge, available in different colours and for various label sizes from 1.5" to 7.4", incl. insert option for an LED rail

28.0341.



### EPOS Rail "Wanzl / Wire-Tech"

For Wanzl and Wire-Tech wire shelves with two horizontal wires, without hinge, available in different colours and for various label sizes from 1.5" to 7.4"

28.0175.



**EPOS Rail "Wanzl / Wire-Tech" with hinge** For Wanzl and Wire-Tech wire shelves with two horizontal wires, with hinge, available in different colours and for various label sizes from 1.5" to 7.4"

28.0194.



### EPOS Rail "Otto-Kind"

For Otto-Kind shelves, without hinge, available in different colours and for various label sizes from 1.5" to 7.4"

28.0161.



**EPOS Rail "Otto-Kind" with hinge** For Otto-Kind shelving, with hinge, available in different colours and for various label sizes from 1.5" to 7.4"

28.0195.



### EPOS Rail "Madix / Lozier"

To slot in to existing C-profiles in metal or plastic, for Madix, Lozier, Alser, Linde and York shelving, without hinge, available in different colours and various label sizes from 1.5" to 7.4"

28.0165.



**EPOS Rail "Madix/Lozier" with hinge** To slot in to existing C-profiles in metal or plastic, for Madix, Lozier, Alser, Linde and York shelving, with hinge, available in different colours and for various label sizes from 1.5" to 7.4"

28.0315.



**EPOS Rail "HAM"**

For ITAB, Hansa Mertens, Hermes, Detroit and Fortezza shelving, without hinge, available in different colours and for various sizes of label 1.5" to 7.4"

28.0196.



**EPOS Rail "HAM" with hinge**

For ITAB, Hansa Mertens, Hermes, Detroit and Fortezza shelving, with hinge, available in different colours and for various label sizes from 1.5" to 7.4"

28.0197.



**EPOS Rail "GLS"**

For 5-10 mm glass and wooden shelves, without hinge, available in different colours and for various label sizes from 1.5" to 7.4"

28.0176.



**EPOS Rail "GLS" with hinge**

For 5-10 mm thick glass and wooden shelves, with hinge, available in different colours and for various label sizes from 1.5" to 7.4"

28.0198.



**EPOS Rail "ANT"**

For 18-22 mm wooden and metal shelves, without hinge, available in different colours and for various label sizes from 1.5" to 7.4"

28.0177.



**EPOS Rail "ANT" with hinge**

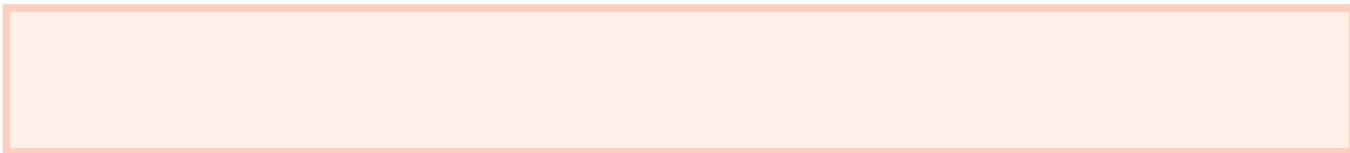
For 18-22 mm thick wooden and metal shelves, with hinge, available in different colours and for various label sizes from 1.5" to 7.4"

28.0199.



**EPOS Rail "Korb" without Bracket** For Wanzl, Siegel and other wire baskets, glass risers and cupboards, without hinge, available in different colours and for various label sizes from 1.5" to 7.4"

28.0178.



**EPOS Rail "Korb" with bracket**

For Wanzl, Siegel and Tego hanging baskets and stacking baskets, without hinge, available in different colours and for various label sizes from 1.5" to 7.4"

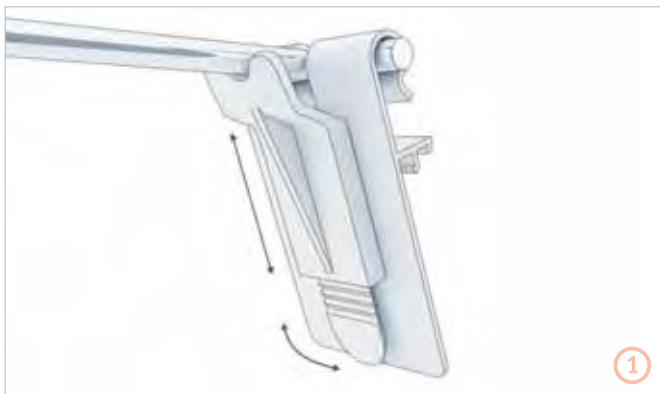
28.0200.



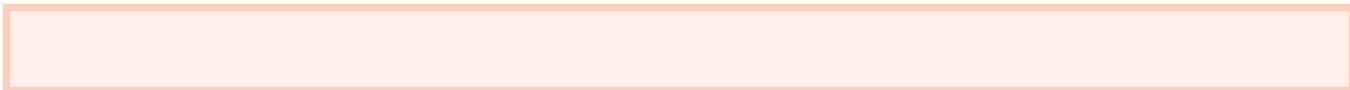
**Pegwall Hook Adapter for Labels**

For pegwall hooks with price holder above, for various label types  
Colour: white

28.0174.1



1. With the help of the positioning element affixed to the reverse, the angle of the pegwall hook adapter can be adjusted.





### Price Cassette Holder

in 2 mm clear PET-G

troniTAG 4.2"

**63.0164.1**

t5.8"

**63.0164.23**

t 7.4" (Portrait)

**63.0164.2**

t 7.4" (Landscape)

**63.0164.4**



### Price Cassette Holder

in 2 mm clear PET-G, incl. 2 holes, also available with U-Pocket adhered

troni 5.8" Label

**63.0168.16**

troni 7.4"-Label (Portrait)

**63.0168.1**

troni 7.4"-Label (Landscape)

**63.0168.2**



**Other finishes available on request.**



### Dovetail Adapter

For adapting troni-Label 1.5" - 2.9" and for use with accessories (p. 61-66); Colour: white

28.0241.1



### Dovetail Adapter Plate 4.2"

To adapt troni labels 4.2" and for using accessories (p. 61-66); Colour: white

28.0241.2

### Dovetail Adapter Plate 5.8" + 7.4"

To adapt troni labels 5.8" + 7.4" and for using accessories (p. 61-66); Colour: white

28.0241.3

**Adjustable Adapter Plate 4.2"** To adapt Troni labels 4.2", Colour: white

28.0234.2



1



**2-Stage Tego Clip for Adjustable Adapter Plate**

Reading angle adjustable to 0° or 30°, insert at 45° angle to the plate, fully adjustable, rotates in 90° intervals

**28.0235.1**



**Exchangeable Cover Troni**

Available in several colours and sizes, optional customer specific print, to slot on to the front

troni 1.54"

**28.0236.4**

troni 2.1"

**28.0236.5**

troni 2.7"

**28.0236.7**

troni 2.9"

**28.0236.1**

troni 4.2"

**28.0236.2**

troni 5.8"

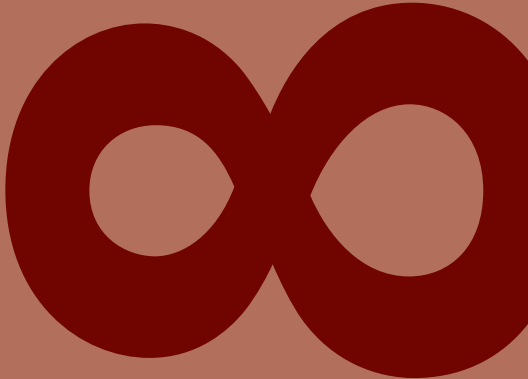
**28.0236.6**

troni 7.4"

**28.0236.3**



# Accessories





8



Shelf barkers liven up your shop so that it becomes more interesting for customers. You are signalling to your customers to buy at good value and to always find new products. We offer a whole range of shelf barkers. We can produce nearly every shape and colour. Whether offset, screen or digital print - we have a printing technique for every quantity! Give us a call or email / fax us your sketches.



## Pegboard Hook Adapter "Click" for various ESL

For pegwall hooks with price holder above, for various label manufacturers and types

Colour: transparent

28.0174.3

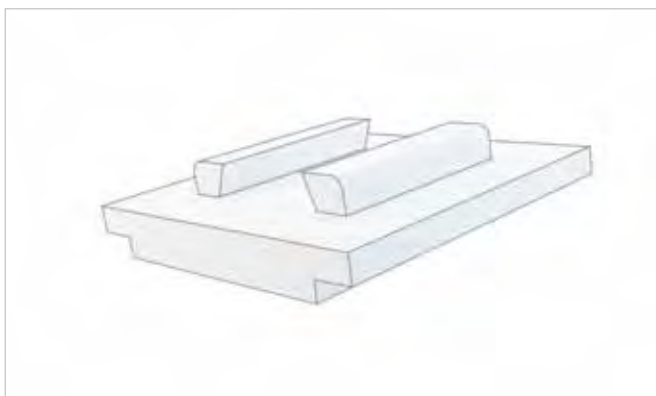
1. With the help of the positioning element affixed to the reverse, the angle of the pegwall hook adapter can be adjusted.

## Adhesive Foot

With double-sided foam tape, for fixing price holders, slate boards or cards, etc. as well as "Click" accessories;

Material: plastic; Colour: white

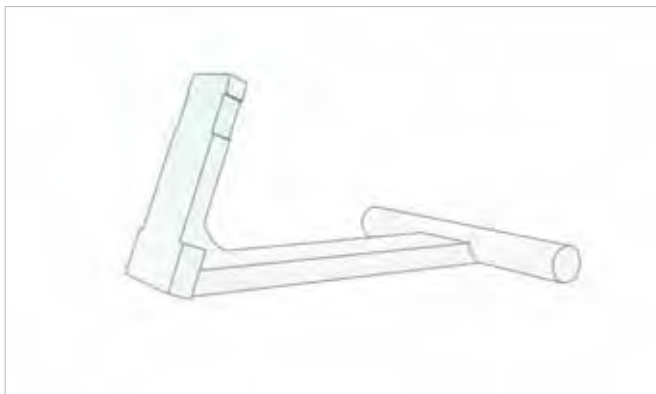
53.0056.60



## Display / Distancer

Material: plastic; Colour: transparent

53.0056.15

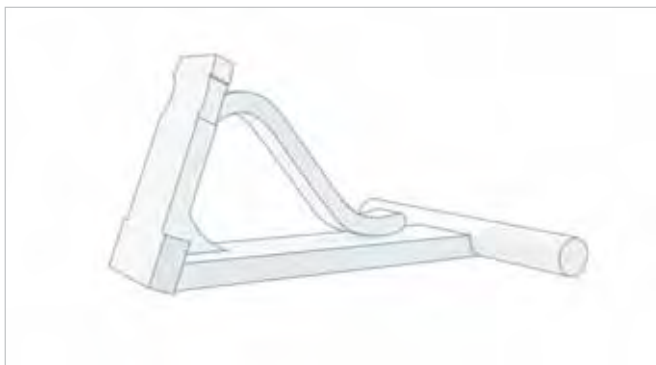


## Display with Hanging and Clamp Attachment

Clamping area: up to max. 10 mm;

Material: plastic; Colour: white

53.0056.54



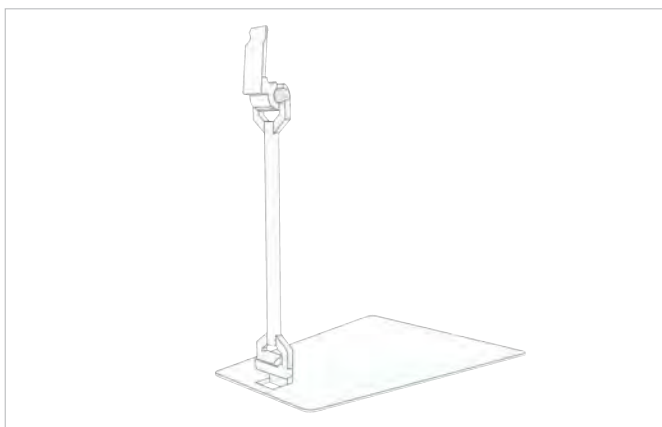
## Display Base

The notches on the adapter make the display angle fully adjustable;  
Base diameter: 90 mm; Height: 150 mm;

Material: stainless steel / plastic; Colour: silver / white

53.0056.3





## Price Holder 100 mm

Includes base, stem and clip. Notches on base allow movement to 3 positions. Price excludes frame;

Material: plastic; Colour: transparent

53.0056.10

8



## Universal Clips

To fix "Click" price cassettes on wooden or vegetable crates. Clamp width up to max. 20 mm, with 50 mm connector and click fixing; Height: 150 mm;

Material: POM; Colour: black / white

53.0056.48

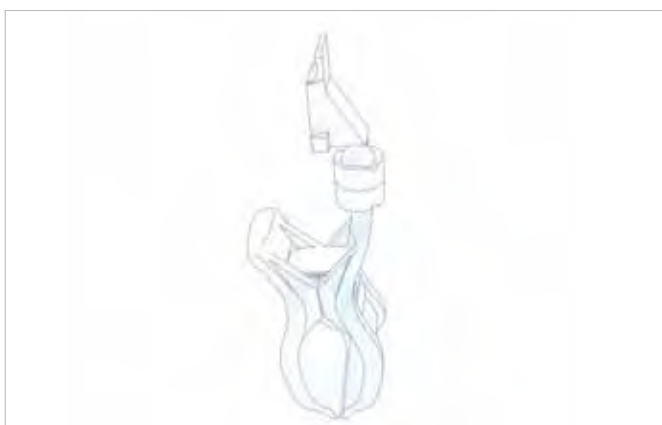


## Sign Clip Click Holder

This holder can be used anywhere (clamp capacity of up to 20 mm). Price cassettes can be displayed in any position using the ball joint.

Material: plastic; Colour: white / transparent

53.0056.21



## Sign Clip Click Holder

This holder can be used anywhere (clamp capacity of up to 30 mm). Price cassettes can be displayed in any position using the ball joint.

Material: plastic; Colour: white / transparent

53.0056.2

## Crate Clamp

2-parts, to fix to crates, baskets and boxes up to 20 mm thick;

Material: plastic; Colour: transparent

53.0056.9



## Holder, 2 parts

For panels of up to 60 mm thick.

Material: plastic; Colour: white / transparent

53.0056.12

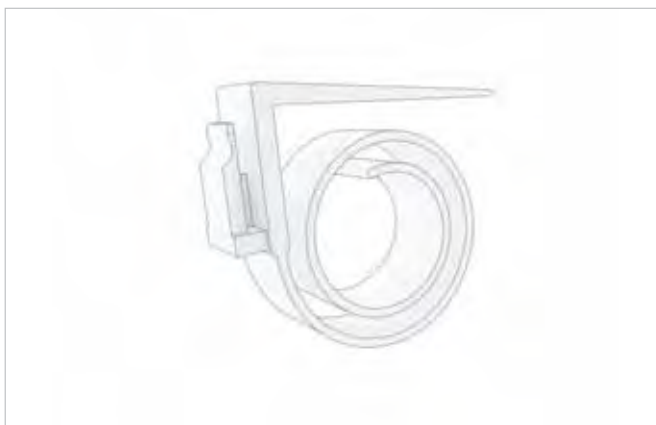


## Coil Clip 1-part

For panels of up to 60 mm thick.

Material: plastic; Colour: white

53.0056.13



## Shelf Holder

Clip area: approx. 10 - 15 mm;

Material: plastic; Colour: white

53.0056.53





### Holder for Shelves

For material thickness of up to approx. 10 mm;

Material: plastic; Colour: white

53.0056.24



### Clip for Tegometal Shelves

Price ticket is displayed at an angle;

Material: plastic; Colour: white

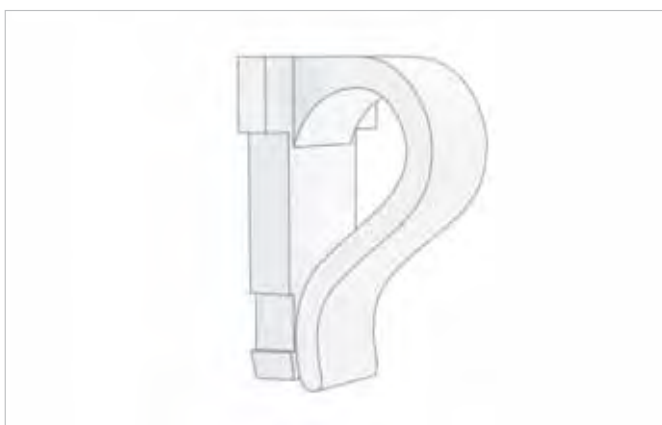
53.0056.18



### "Click" Fixing

Material: POM; Colour: white; Model: Tego Clip 2 levels;  
Frame capacity: for "Click" frames

53.0056.103



### Hook Clip

For wire baskets, containers, etc.; Fits wire up to  $\varnothing$  10 mm;

Material: plastic; Colour: white

53.0056.14

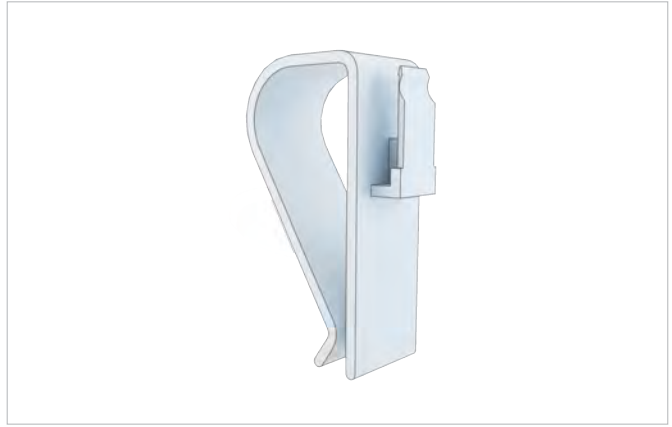


## Hanging Hook

For wire baskets, thin poles, etc.;  
for use with materials up to  $\varnothing$  20 mm;

Material: plastic; Colour: white

53.0056.49



## Hanging Hook for Poles up to max. 12 mm $\varnothing$

Material: plastic; Colour: white

53.0056.7



## Horizontal Magnetic Holder

Material: plastic / magnet; Colour: transparent

53.0056.27



## Vertical Magnetic Holder

Material: plastic / magnet; Colour: transparent

53.0056.26





## Double Pin

Pivoting, for displaying prices directly on an item;

Material: plastic; Colour: white

53.0056.17

8



## Metal Pin with Stainless Steel Needle

Material: Nirosta / Acrylic; Colour: white / chrome

53.0056.32



## Price Spear

Material: plastic; Colour: transparent

53.0056.71



## Counter Base 130 mm

The angle can be set using the raster element.

Height: 130 mm, Price without frame;

Material: plastic; Colour: transparent

53.0056.93